

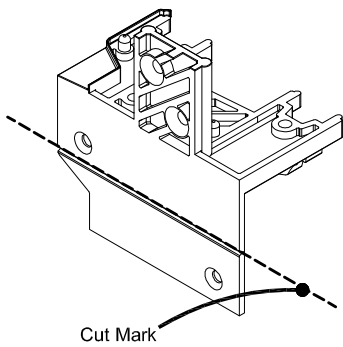
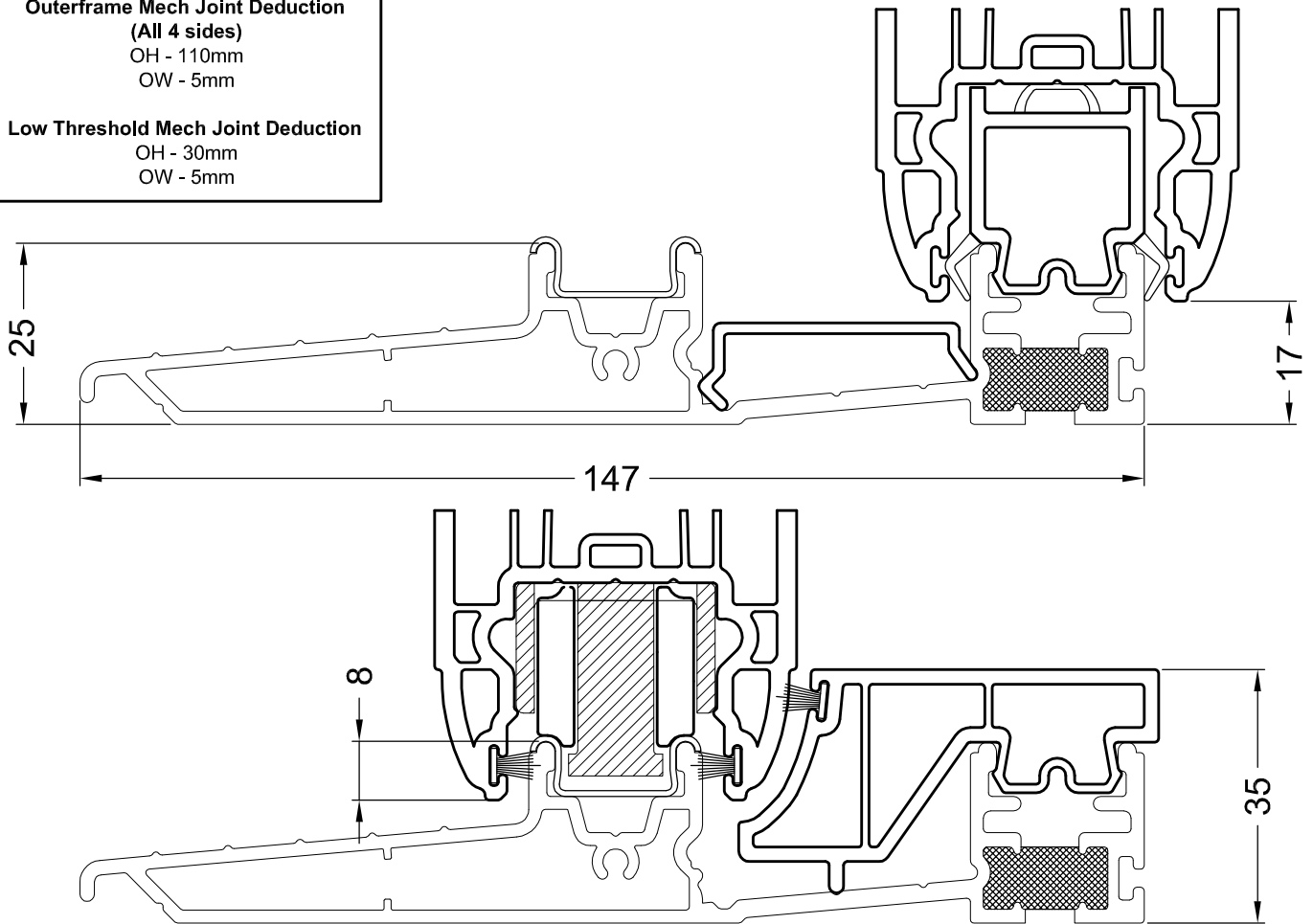
LOW THRESHOLD ASSEMBLY



Section 5.6

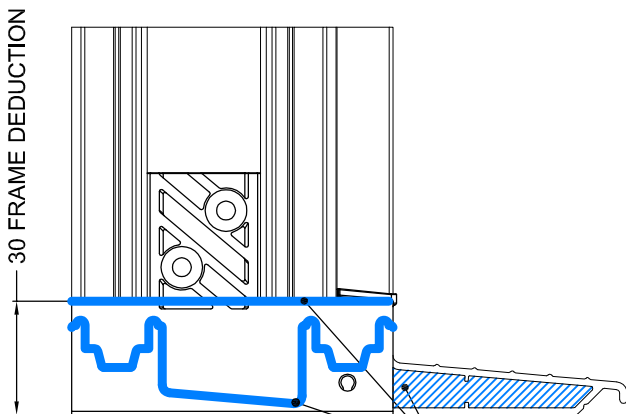
Outerframe Mech Joint Deduction
(All 4 sides)
 OH - 110mm
 OW - 5mm

Low Threshold Mech Joint Deduction
 OH - 30mm
 OW - 5mm



Outerframe Mechanical Joint Moulding

The patio low threshold moulding also acts as a outerframe mechanical joint moulding. The break line below needs to be broken when using the aluminum low threshold but to be left when using a standard outerframe.

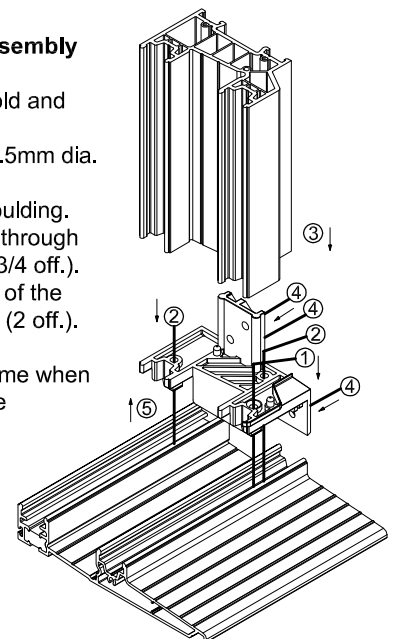


SILICONE SEAL BETWEEN JOINTS & BLOCK END CHAMBERS
ENSURE THIS IS DONE WHEN MECHANICALLY JOINING THE LOW THRESHOLD OR OUTERFRAME

Low Threshold Moulding Assembly

1. Align moulding on threshold and screw into position to fix.
2. Drill thru' from top using 4.5mm dia. drill.
3. Align outer frame onto moulding.
4. Screw frame into position through the side of the moulding (3/4 off.).
5. Screw from the underside of the threshold into outer frame (2 off.).

Note: This procedure is the same when mechanically jointing the outerframe



KEY: OH = Outerframe height
 OW = Outerframe Width